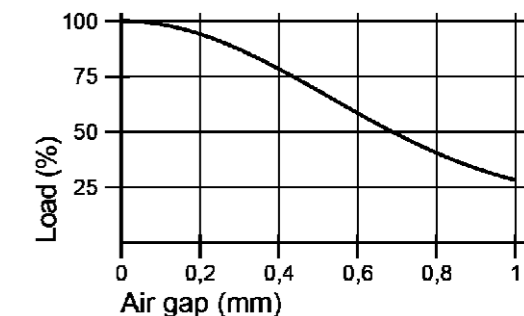
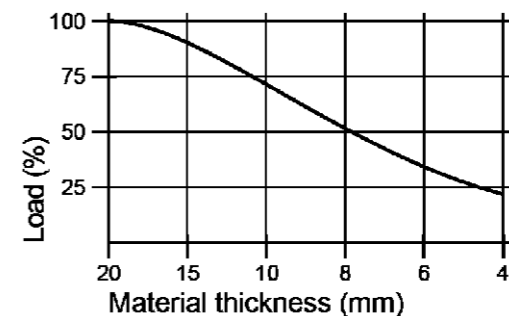
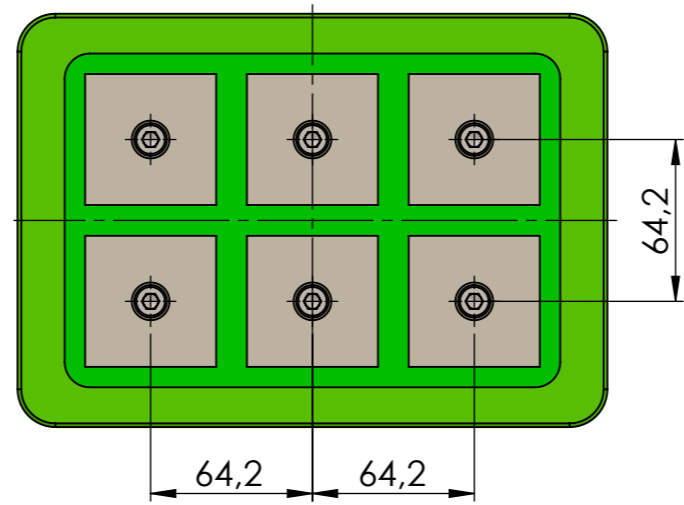
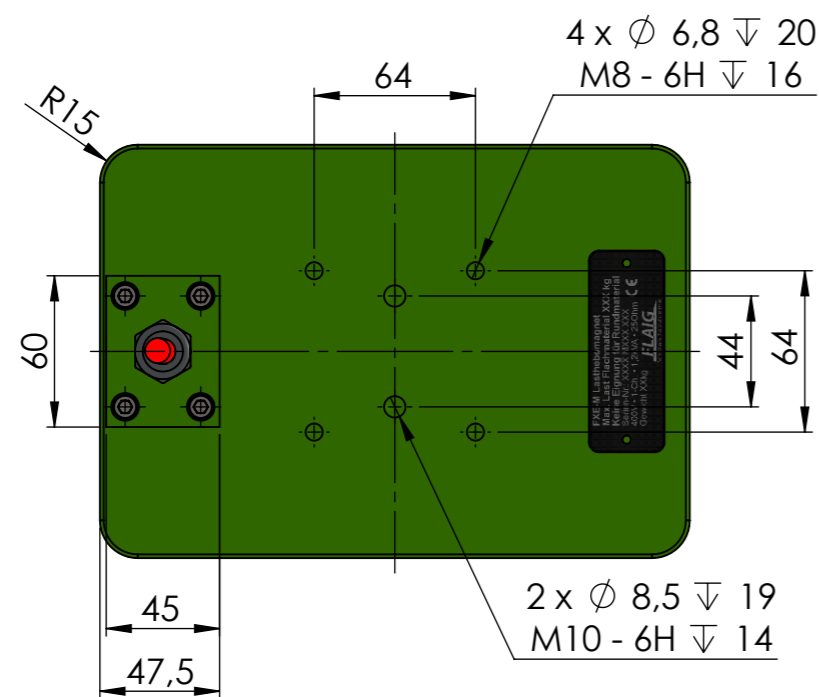
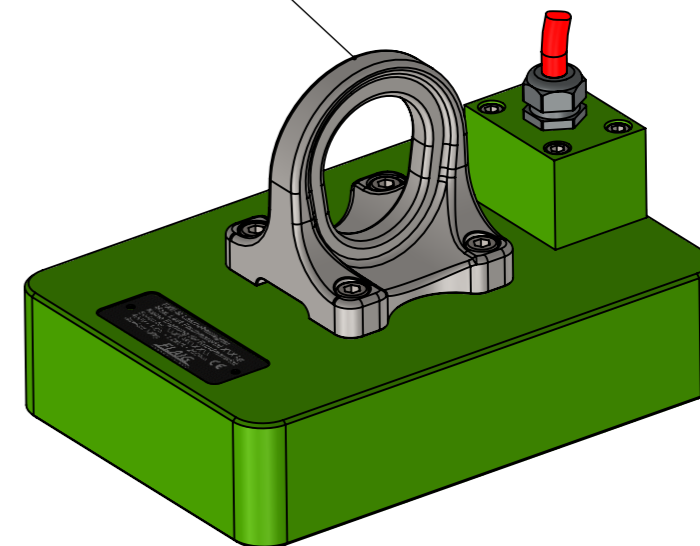


Crane lifting eye optional
Article number: 911010605



Specification FXE-M 500-50

Nominative Force: 22,8kN	lifting capacity EN 13155/WLL
Materialthickness >15mm (100%)	500kg
1,8kVA	
U: 380-480V Pulse	Protection Type IP 65
R: 15,6Ω	Protection category SK I

Schutzvermerk nach DIN ISO 16016 beachten! Nachdruck nur mit unserer Genehmigung!		3,2 -0,05 -0,2	tolerance	material:	weight: 15.50	
All rights reserved according to DIN ISO 16016! Reprint with our permission only!			ISO 7168 M	drawing no.:	0017314	
			date	name	description: FXE-M 500-50	
			drawn 02.05.2022	TW		
			appr. 05.05.2022	TW		
			 www.flraig-te.de		part no.:	sheet
					10610501	1 / 1
rev.	change	date	name	scale: 1:3	Status: Freigegeben	